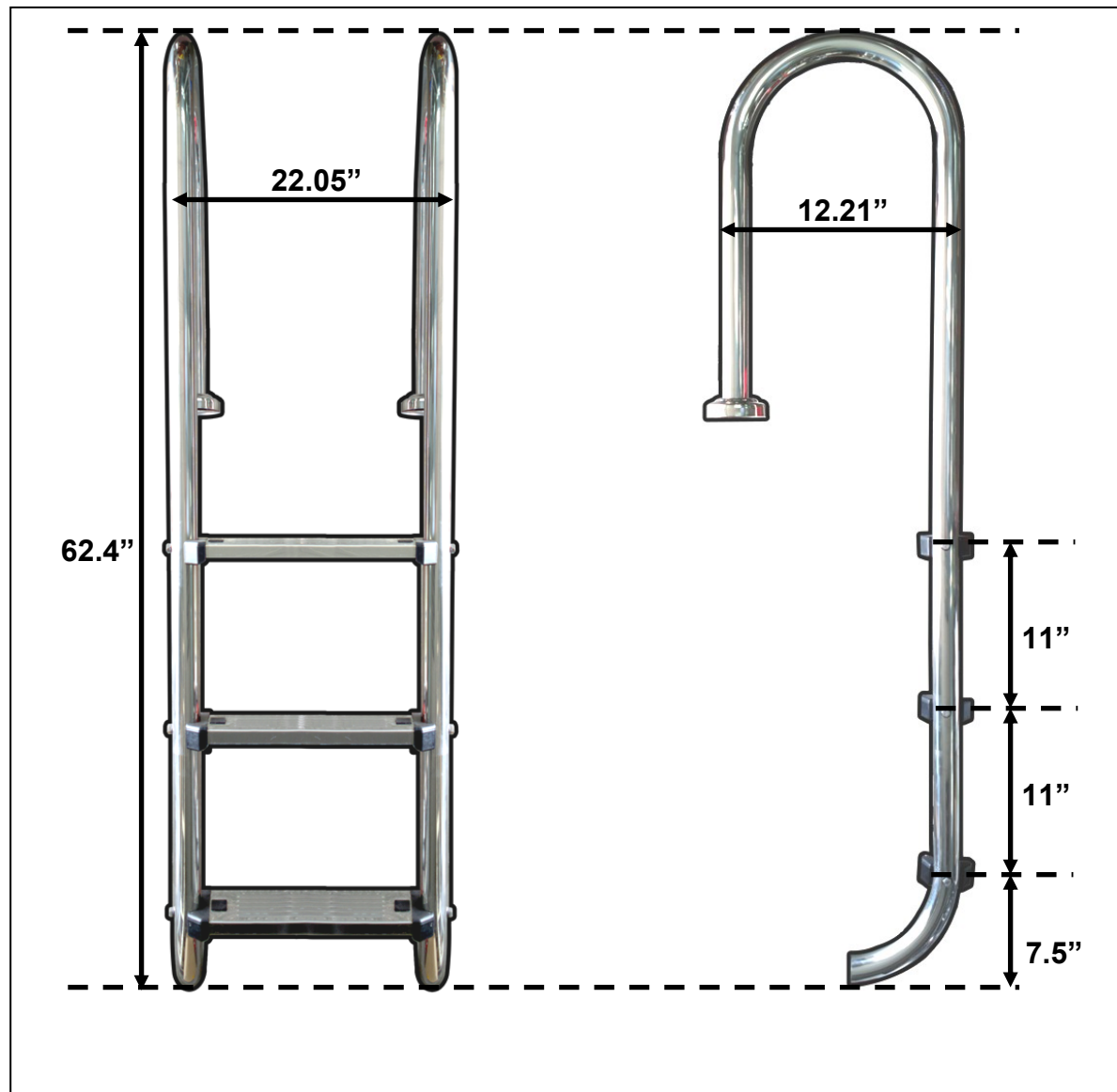




Swimming Pool Ladder 316



STAINLESS STEEL 316 SWIMMING POOL LADDER SPE-S316POL (3 STEP)

Descriptions: Suitable for overflow and skimmer pools. The design will suit the ladder rail to be anchored in the deck just in front of the overflow channel for a neat finish.

***Also available in SS304 from 2 step – 5 step (custom made)**

MATERIAL: AISI* 1³/₄" pipe 316 Stainless Steel.

Weight: 7.5KG

***American Iron and Steel Institute (AISI)**