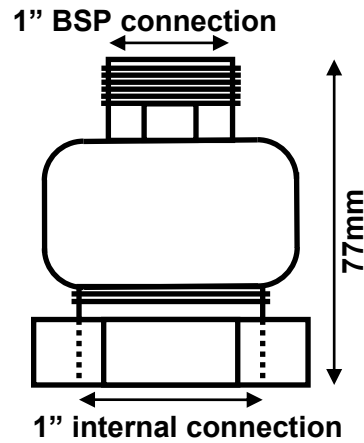




Ball Joint



Ball Joint
FN-BALJ



Ball Joint is an add-on to change fixed nozzle jet spraying angle to variable adjustment angle. Thus adding flexibility to the nozzle jet spraying angle of your liking.

Ball Joint	
Connection	1/2", 3/4" & 1" BSP
Material	Nylon

INSTALLATION SAMPLE



Fully Adjustable angle variation (after assembled)